

BM94-80A



Product Features

- ◆ Small size
- ◆ Switching current Max.80A
- ◆ Plug-in or PC board terminals available
- ◆ Auxiliary automotive part
- ◆ Outline dimensions:25.8*25.8*24mm

Ordering Information

BM94 -12VDC -A -b R S 80A

Model No.

Nominal Coil Voltage: 6,12,24V(DC)

Contact Form: A: Normally Open B: Normally Closed
C: Normally Open&Close

Installation: Nil:Plug-in b:PCB terminals

R: Parallel transient suppression resistor D:Parallel transient suppression diode
Nil:Without parallel components

S: Sealed type Nil:Dust proof Type

Contact current: 80A

Contact Rating

Contact Form	1A,1B,1C		
Contact Material	Ag Alloy		
Contact Rating(Resistive)	NO:80A 14VDC; NC:60A 14VDC		
Switching Power Max.	1120W		
Switching Voltage Max.	75VDC		
Voltage Drop	≤50mV (@ 10A)	Item 4.12 of IEC 61810-7	
Endurance	Electrical	10 ⁵	Item 4.30 of IEC 61810-7
	Mechanical	10 ⁷	Item 4.31 of IEC 61810-7

Coil Rating

No.	Coil Voltage(VDC)		Coil Resistance R(1 ± 10%) Ω	Pick up Max.(VDC) (65% of Nominal Voltage)	Drop out Min.(VDC) (10% of Nominal Voltage)	Coil Power (W)	Operate Time (ms)	Release Time (ms)
	Nominal	Max.						
006-180	6	7.8	20	3.90	0.60	1.80	≤7	≤5
012-180	12	15.6	80	7.80	1.20			
024-180	24	31.2	320	15.60	2.40			
006-220	6	7.8	16.3	3.90	0.60	2.20		
012-220	12	15.6	65.4	7.80	1.20			
024-220	24	31.2	261.8	15.60	2.40			

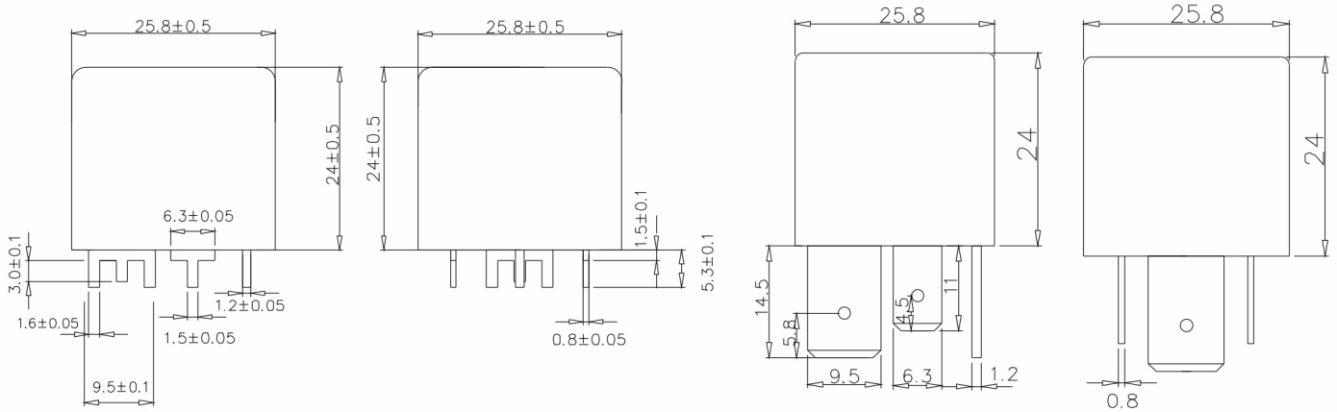
Technical Rating

Insulation Resistance		100M Ω (500VDC)Min.	Item 7 of IEC 60255-5
Dielectric Strength	Between Open Contacts	50/60Hz 500V 1min	Item 6 of IEC 60255-5
	Between Coil&Contact	50/60Hz 500V 1min	Item 6 of IEC 60255-5
Shock Resistance		Operation extremes 10G Damage limits 100G	IEC 68-2-27 Test Ea
Vibration Resistance		Operation extremes 10-500Hz,5.0G;Damage limits 10-500Hz,5.0G	IEC 68-2-6 Test Fc
Leading-out Terminal Strength		8N 4N(PCB terminal)	IEC 68-2-21 Test Ua2
Ambient Temperature		-40℃ ~ 125℃	
Relative Humidity		85%(40℃)	IEC 68-2-3 Test Ca
Weight		45g	

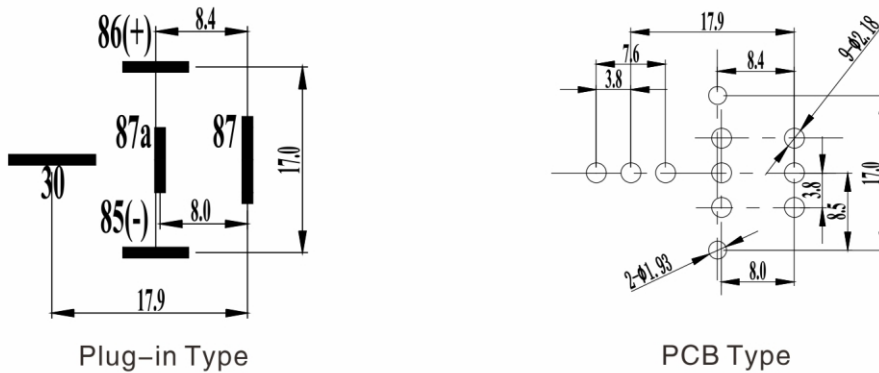
Outline Dimensions, Wiring Diagram And Layout

Unit:mm

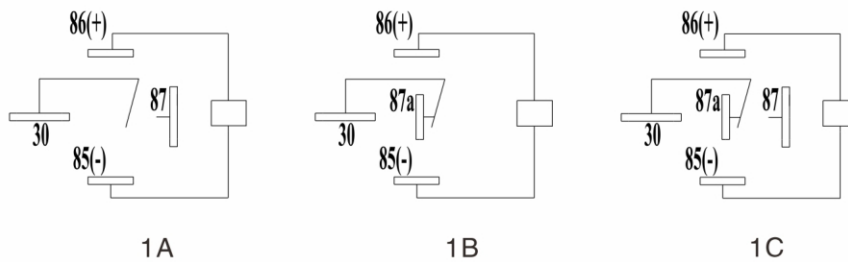
Outline Dimensions



Layout (Bottom View)



Wiring Diagram (Bottom View)



Remarks: (1) In case of no tolerance shown in outline dimension: outline dimension ≤ 1 mm, tolerance should be ± 0.2 mm; outline dimension > 1 mm and ≤ 5 mm, tolerance should be ± 0.3 mm; outline dimension > 5 mm, tolerance should be ± 0.4 mm.
 (2) The tolerance without indicating for PCB layout is always ± 0.1 mm.

Note: Specification and dimensions in this catalogue are for reference only and subject to change without notice.