

GN



Product Features

- ◆ Small size, light weight
- ◆ Low coil power consumption
- ◆ Contact rating: DPST&DPDT 2*8A and SPST&SPDT 16A
- ◆ PCB terminals
- ◆ Suitable for household appliances, automatization system, electronic equipments, instruments, communication and remote control device, etc.
- ◆ Environmental friendly product
- ◆ Outline dimensions: 29*12.7*15.7mm

 us E361440

Ordering Information

Model No.	GN	-12VDC	-1A	-S	16
Nominal Coil Voltage:	5,6,9,12,18,24,48V(DC)				
Contact Form:	1A,1B,1C,2A,2C				
Construction:	S:Sealed type Nil:Flux tight type				
Contact Rating:	8:8A 16:16A				

Contact Rating

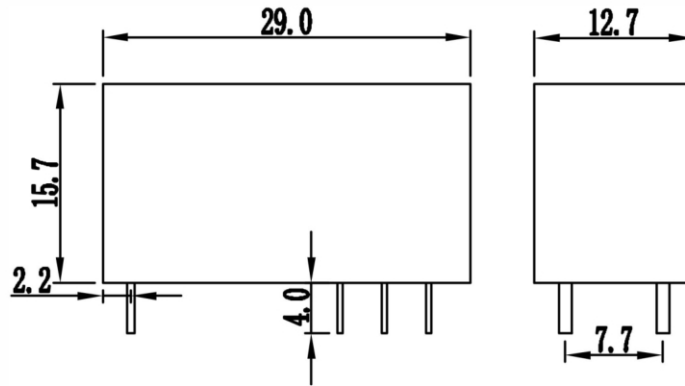
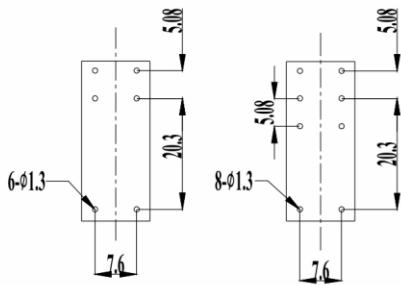
Contact Form	1A,1B,1C,2A,2C	
Contact Material	AgSnO ₂ AgCdO	
Contact Rating	16A 250VAC, 2*8A 250VAC, 1/2HP 125VAC/250VAC	
Switching Power Max.	SPST&SPDT:480W/4000VA, DPST&DPDT:240W/2000VA	
Switching Voltage Max.	30VDC/400VAC	
Contact Resistance	≤ 100mΩ (1A,6VDC)	
Endurance	Electrical	10 ⁵
	Mechanical	10 ⁷

Technical Rating

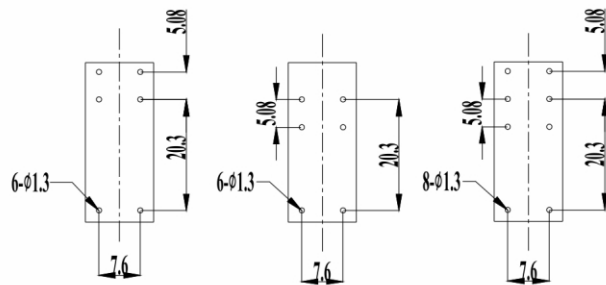
Insulation Resistance		1000M Ω (500VDC)	Item 7 of IEC 60255-5
Dielectric Strength	Between Open Contacts	1000VAC	Item 6 of IEC 60255-5
	Between Contact Groups	2500VAC	Item 6 of IEC 60255-5
	Between Coil&Contact	5000VAC	Item 6 of IEC 60255-5
Shock Resistance		Operation extremes 10G Damage limits 100G	IEC 68-2-27 Test Ea
Vibration Resistance		10Hz ~ 150Hz 10g/5g	IEC 68-2-6 Test Fc
Ambient Temperature		-40 $^{\circ}$ C ~ 85 $^{\circ}$ C	
Relative Humidity		35 ~ 85%	IEC 68-2-3 Test Ca
Weight		13g	

Coil Rating

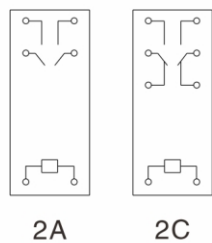
Coil Voltage(VDC)		Coil Resistance R(1 \pm 10%) Ω	Pick up Max.(VDC) (75% of Nominal Voltage)	Drop out Min.(VDC) (10% of Nominal Voltage)	Coil Power (W)	Operate Time (ms)	Release Time (ms)
Nominal	Max.						
5	6.5	62	3.75	0.5	0.40	\leq 15	\leq 8
6	7.8	90	4.5	0.6			
9	11.7	202	6.75	0.9			
12	15.6	360	9	1.2			
18	23.4	810	13.5	1.8			
24	31.2	1440	18	2.4			
48	62.4	5760	36	4.8			

Outline Dimensions, Wiring Diagram And PCB Layout
Unit:mm
Outline Dimensions

PCB Layout (Bottom View)


DPST&DPDT 2*8A PCB Layout (Bottom View)



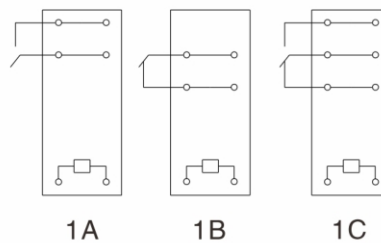
SPST&SPDT 16A PCB Layout (Bottom View)

Wiring Diagram(Bottom View)


2A

2C

DPST&DPDT 2*8A Wiring Diagram(Bottom View)



1A

1B

1C

SPST&SPDT 16A Wiring Diagram(Bottom View)

- Remarks:** (1) In case of no tolerance shown in outline dimension: outline dimension $\leq 1\text{mm}$, tolerance should be $\pm 0.2\text{mm}$; outline dimension $> 1\text{mm}$ and $\leq 5\text{mm}$, tolerance should be $\pm 0.3\text{mm}$; outline dimension $> 5\text{mm}$, tolerance should be $\pm 0.4\text{mm}$.
 (2) The tolerance without indicating for PCB layout is always $\pm 0.1\text{mm}$.

Note: Specification and dimensions in this catalogue are for reference only and subject to change without notice.